

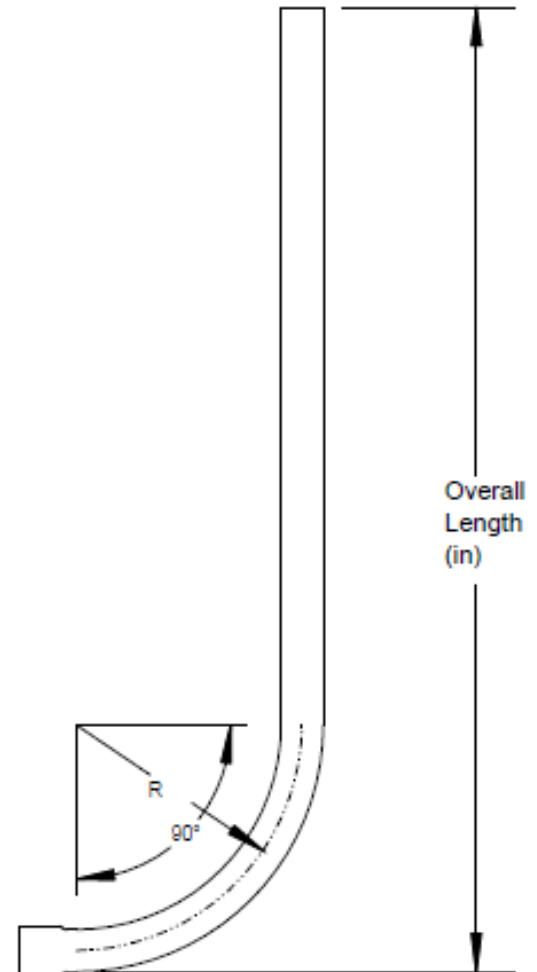


Tacoma Facility
 1427 E 26th Street
 Tacoma, WA 98421
 (253) 272-7788

Quincy Facility
 1302 NE Intermodal Way
 Quincy, WA 98848
 (509) 497-0350

EZ RISER AND POLE RISER

Pipe Size (inches)	Part Type	Radius	Approximate Overall Length (in)	Schedule 80 Weight (lbs)
2 ½	EZ Riser	90° x 24"	106	22.6
3	EZ Riser	90° x 24"	106	29.6
4	EZ Riser	90° x 24"	106	42.2
2 ½	Pole Riser	90° x 36"	219	32.7
3	Pole Riser	90° x 36"	219	44.0
4	Pole Riser	90° x 36"	219	63.3



Advantages & Highlights of EZ & Pole Riser

- Schedule 80 pipe is conforming to UL 651 and NEMA TC-2 *Electrical Polyvinyl Chloride (PVC) Conduit*
- Compression formed interference fit conforms to UL651 and NEMA TC-3 *Polyvinyl Chloride (PVC) Fittings for Use with Rigid PVC Conduit and Tubing*
- Couplings are intended to be joined with a cement that is or contains a solvent for polyvinyl chloride
- EZ Risers are made from 10 ft sticks with a 90° x 24" radius with an integral coupling
- Pole Risers are made from 20 ft sticks with a 90° x 36" radius with an integral coupling
- Dimensions are approximate and subject to normal manufacturing tolerances.

*Other sizes available upon request