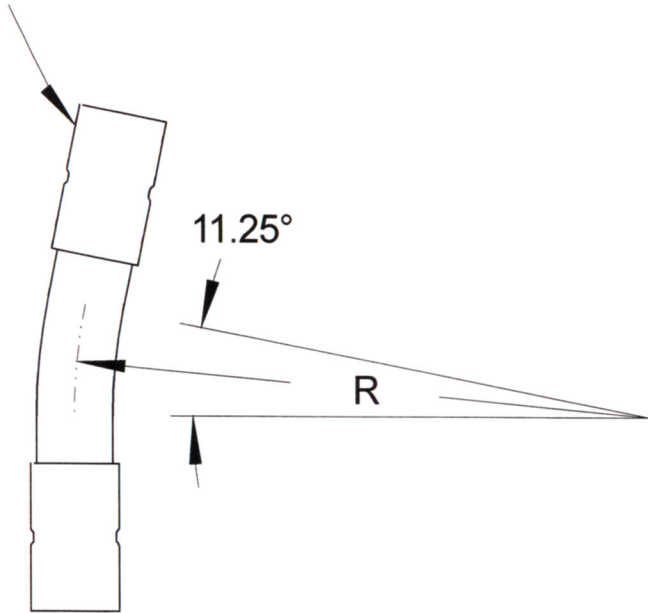


SIZE	DIAMETER "D"	RADIUS "R"	WALL THICKNES	PART NUMBER	WEIGHT (LBS.)
4"	4.5"	48"	.096"	FGHW-41148	6.554
5"	5.563"	48"	.110"	FGHW-51148	9.574
6"	6.625"	48"	.110"	FGHW-61148	13.848
8"	8.625"	48"	.125"	FGHW-81148	20.763

DEEP SOCKET S/40 PVC COUPLING



**RACEWAYS TECHNOLOGY
& MFG., INC.**

TACOMA, WA

11.25 DEGREE FIBERGLASS ELBOW 48" RADIUS
(HEAVY WALL)

NO SCALE

RTP

2012

DEEP SOCKET S/40 PVC COUPLINGS CONFORM TO UL 651 SPECIFICATIONS