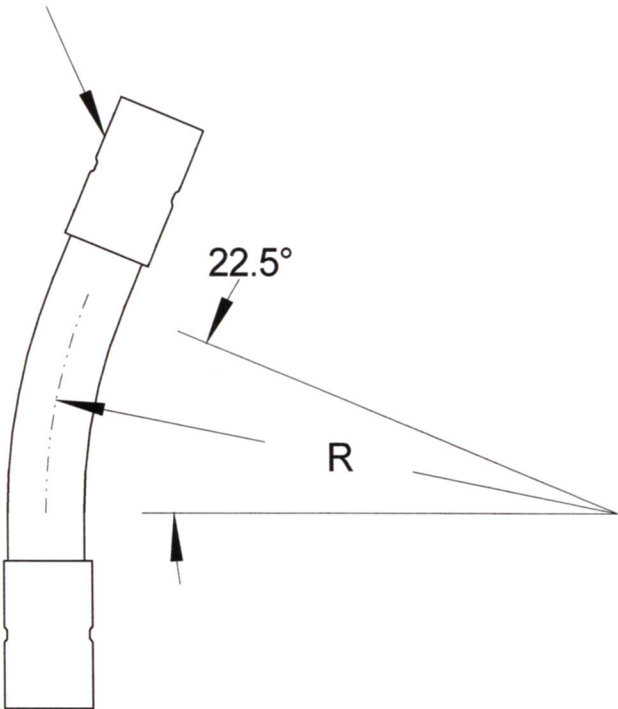


SIZE	DIAMETER "D"	RADIUS "R"	WALL THICKNES	PART NUMBER	WEIGHT (LBS.)
4"	4.5"	18"	.096"	FGHW-42218	6.3924

DEEP SOCKET S/40 PVC COUPLING



<b>RACEWAYS TECHNOLOGY &amp; MFG., INC.</b>		
TACOMA, WA		
22.5 DEGREE FIBERGLASS ELBOW 18" RADIUS (HEAVY WALL)		
NO SCALE	RTP	2012

DEEP SOCKET PVC COUPLINGS CONFORM TO UL 651 SPECIFICATIONS