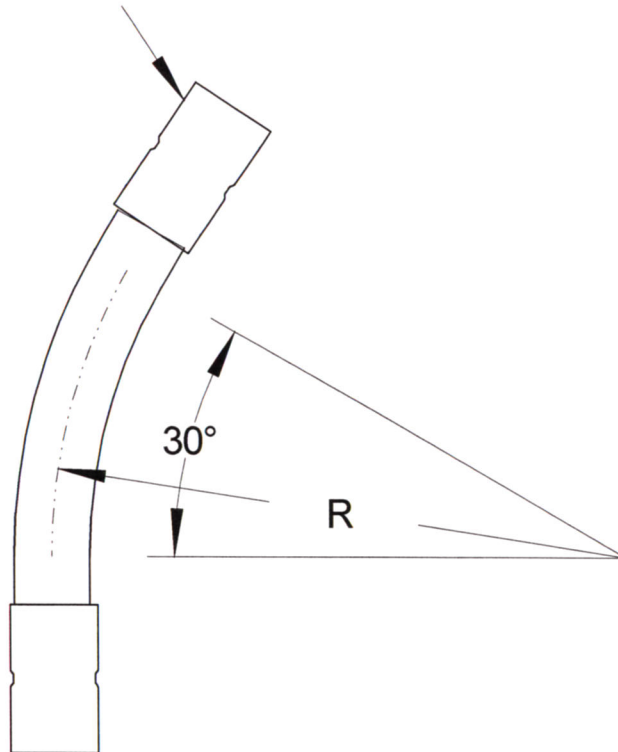


SIZE	DIAMETER "D"	RADIUS "R"	WALL THICKNES	PART NUMBER	WEIGHT (LBS.)
4"	4.5"	48"	.096"	FGHW-43048	7.685
5"	5.563"	48"	.110"	FGHW-53048	11.224
6"	6.625"	48"	.110"	FGHW-63048	15.885
8"	8.625"	48"	.125"	FGHW-83048	24.408

DEEP SOCKET S/40 PVC COUPLING



**RACEWAYS TECHNOLOGY  
& MFG., INC.**

TACOMA, WA

30 DEGREE FIBERGLASS ELBOW 48" RADIUS  
(HEAVY WALL)

NO SCALE

RTP

2012

DEEP SOCKET S/40 PVC COUPLINGS CONFORM TO UL 651 SPECIFICATIONS