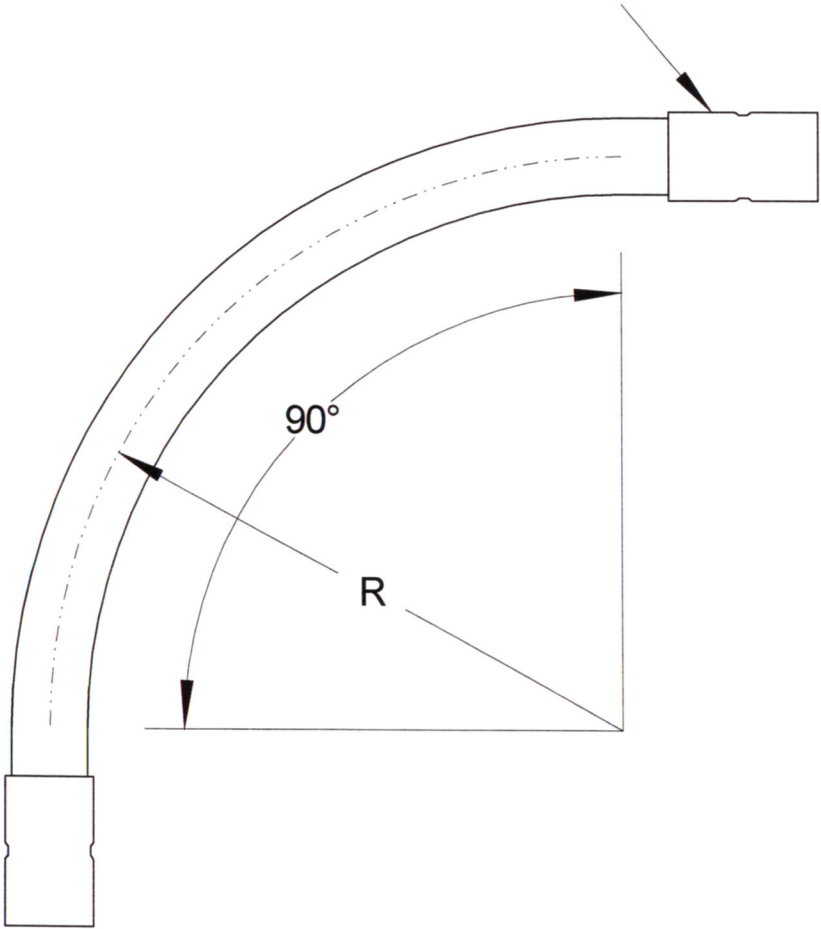


SIZE	DIAMETER "D"	RADIUS "R"	WALL THICKNES	PART NUMBER	WEIGHT (LBS.)
4"	4.5"	36"	.096"	FGHW-49036	9.947
5"	5.563"	36"	.110"	FGHW-59036	14.304
6"	6.625"	36"	.110"	FGHW-69036	19.687

DEEP SOCKET PVC COUPLING



DEEP SOCKET PVC COUPLINGS CONFORM TO UL 651 SPECIFICATIONS

**RACEWAYS TECHNOLOGY
& MFG., INC.**

TACOMA, WA

90 DEGREE FIBERGLASS ELBOW 36" RADIUS
(HEAVY WALL)

NO SCALE

RTP

2012