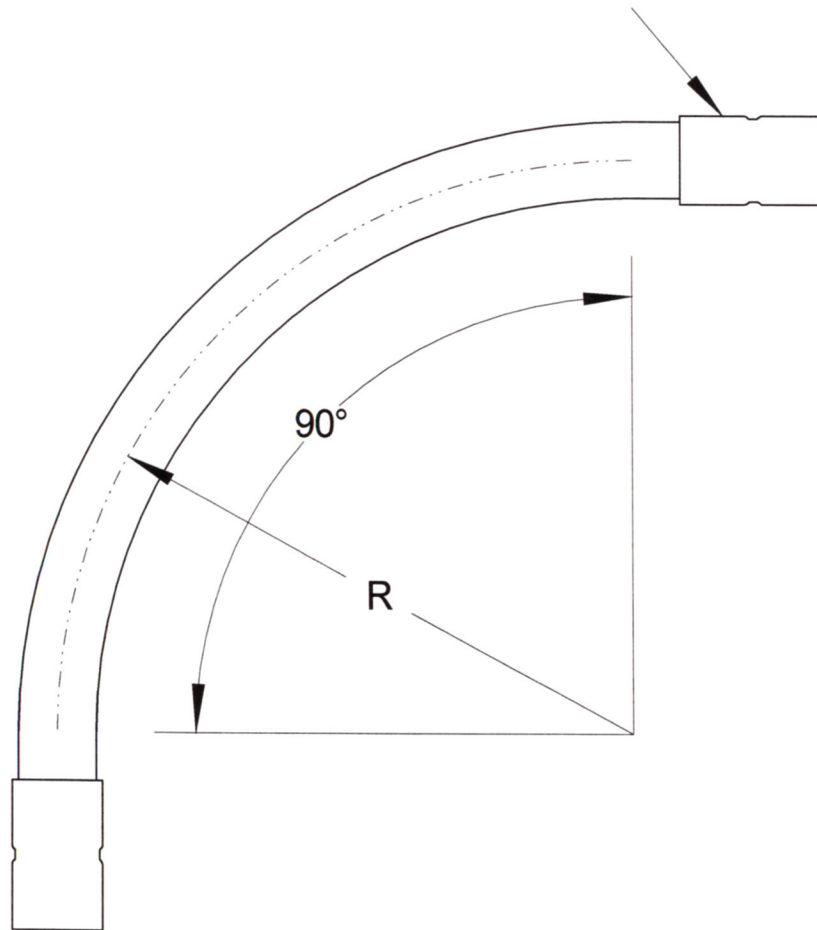


SIZE	DIAMETER "D"	RADIUS "R"	WALL THICKNES	PART NUMBER	WEIGHT (LBS.)
4"	4.5"	60"	.096"	FGHW-49060	12.816
5"	5.563"	60"	.110"	FGHW-59060	18.099
6"	6.625"	60"	.110"	FGHW-69060	24.372
8"	8.625"	60"	.125"	FGHW-89060	36.456

DEEP SOCKET PVC COUPLING



DEEP SOCKET PVC COUPLINGS CONFORM TO UL 651 SPECIFICATIONS

**RACEWAYS TECHNOLOGY
& MFG., INC.**

TACOMA, WA

90 DEGREE FIBERGLASS ELBOW 60" RADIUS
(HEAVY WALL)

NO SCALE

RTP

2012