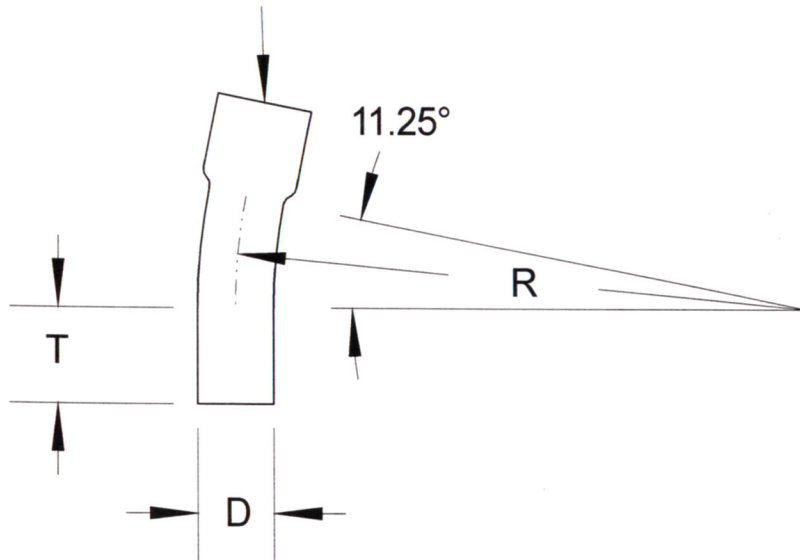


SIZE	DIAMETER "D"	RADIUS "R"	TANGENT "T" (MIN.)	PART NUMBER	WEIGHT (LBS.)
1"	1.315"	36"	1.875"	DB-11136	0.1763
1 1/2"	1.9"	36"	2"	DB-1501136	0.2703
2"	2.375"	36"	2"	DB-21136	0.423
3"	3.5	36"	3.125"	DB-31136	1.027
4"	4.5"	36"	3.375"	DB-41136	1.9175
5"	5.563"	36"	3.625"	DB-51136	3.9895
6"	6.625"	36"	3.75"	DB-61136	5.943

INTEGRAL COUPLING



**RACEWAYS TECHNOLOGY
& MFG., INC.**

TACOMA, WA

11.25 DEGREE DB120 PVC ELBOW 36" RADIUS

NO SCALE

RTP

2012