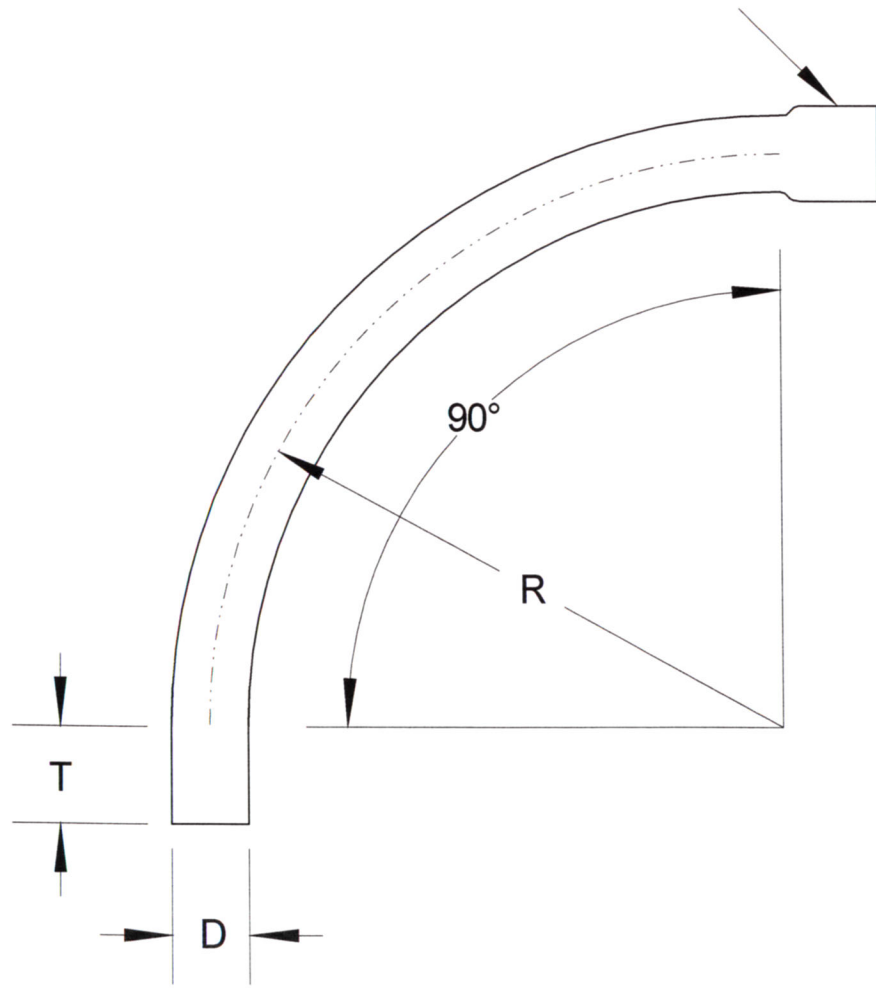


SIZE	DIAMETER "D"	RADIUS "R"	TANGENT "T" (MIN.)	PART NUMBER	WEIGHT (LBS.)
1"	1.315"	24"	1.875"	DB-19024	0.596
1 1/2"	1.9"	24"	2"	DB-1509024	0.928
2"	2.375"	24"	2"	DB-29024	1.424
3"	3.5	24"	3.125"	DB-39024	3.147
4"	4.5"	24"	3.375"	DB-49024	5.168
5"	5.563"	24"	3.625"	DB-59024	9.277

INTEGRAL COUPLING



**RACEWAYS TECHNOLOGY  
& MFG., INC.**  
TACOMA, WA

90 DEGREE DB120 PVC ELBOW 24" RADIUS

NO SCALE	RTP	2012
----------	-----	------