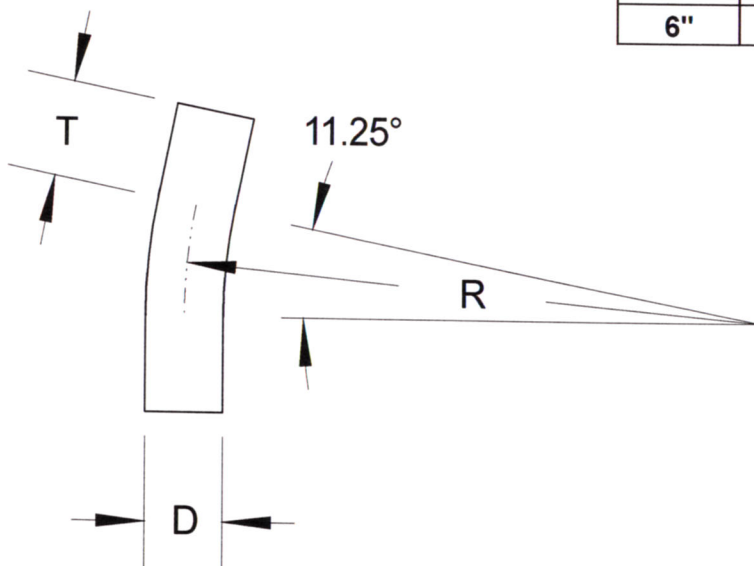


SIZE	DIAMETER "D"	RADIUS "R"	TANGENT "T" (MIN.)	PART NUMBER	WEIGHT (LBS.)
1/2"	.84"	36"	1.5"	S40W-051136	0.166
3/4"	1.05"	36"	1.5"	S40W-0751136	0.215
1"	1.315"	36"	1.875"	S40W-111136	0.323
1 1/4"	1.66"	36"	2"	S40W-1251136	0.431
1 1/2"	1.9"	36"	2"	S40W-1501136	0.507
2"	2.375"	36"	2"	S40W-211136	0.681
2 1/2"	2.875"	36"	3"	S40W-2501136	1.106
3"	3.5	36"	3.125"	S40W-311136	1.439
4"	4.5"	36"	3.375"	S40W-411136	2.056
5"	5.563"	36"	3.625"	S40W-511136	4.493
6"	6.625"	36"	3.75"	S40W-611136	6.44



**RACEWAYS TECHNOLOGY
& MFG., INC.**
TACOMA, WA

11.25 DEGREE S/40 NSF PVC ELBOW 36" RADIUS

NO SCALE

RTP

2012

INTEGRAL COUPLINGS AVAILABLE ON REQUEST