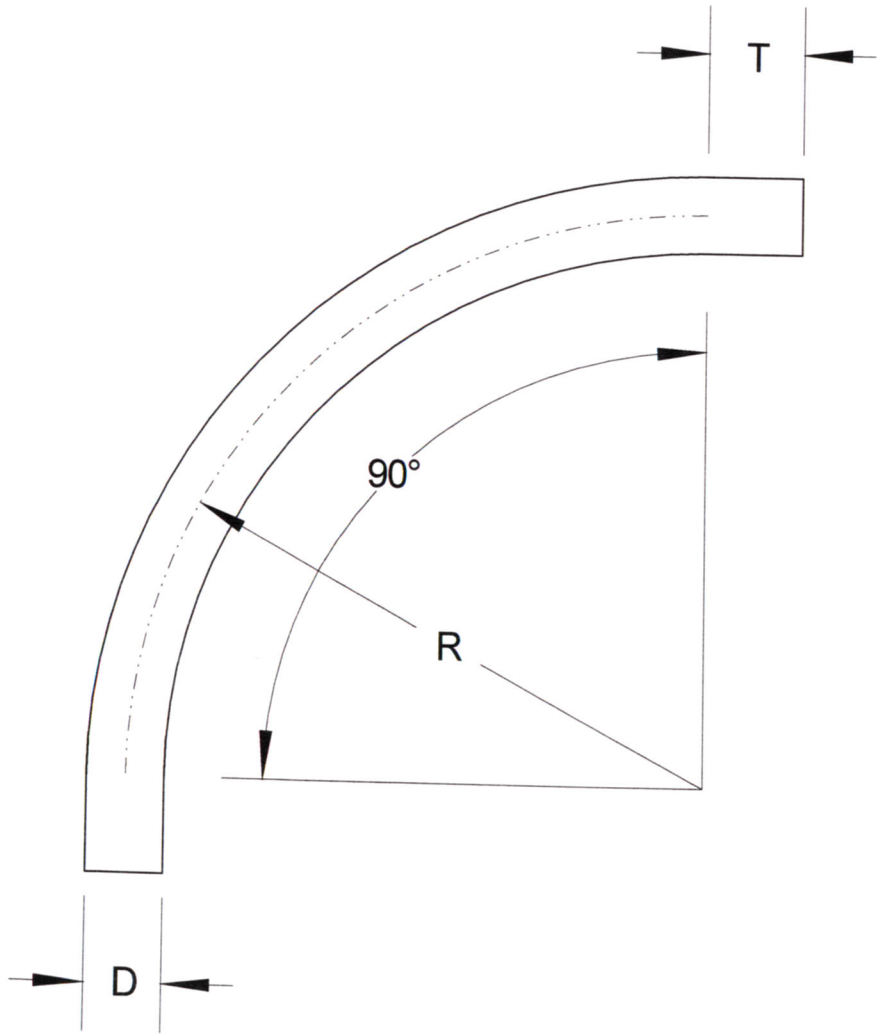


| SIZE | DIAMETER "D" | RADIUS "R" | TANGENT "T" (MIN.) | PART NUMBER | WEIGHT (LBS.) |
|--------|-----------------|---------------|-----------------------|--------------|------------------|
| 1/2" | .84" | 12" | 1.5" | S40W-059012 | 0.336 |
| 3/4" | 1.05" | 12" | 1.5" | S40W-0759012 | 0.435 |
| 1" | 1.315" | 12" | 1.875" | S40W-19012 | 0.653 |
| 1 1/4" | 1.66" | 12" | 2" | S40W-1259012 | 0.871 |
| 1 1/2" | 1.9" | 12" | 2" | S40W-1509012 | 1.025 |
| 2" | 2.375" | 12" | 2" | S40W-29012 | 1.376 |
| 2 1/2" | 2.875" | 12" | 3" | S40W-2509012 | 2.236 |



INTEGRAL COUPLINGS AVAILABLE ON REQUEST

**RACEWAYS TECHNOLOGY
& MFG., INC.**
TACOMA, WA

90 DEGREE S/40 NSF PVC ELBOW 12" RADIUS

NO SCALE

RTP

2012