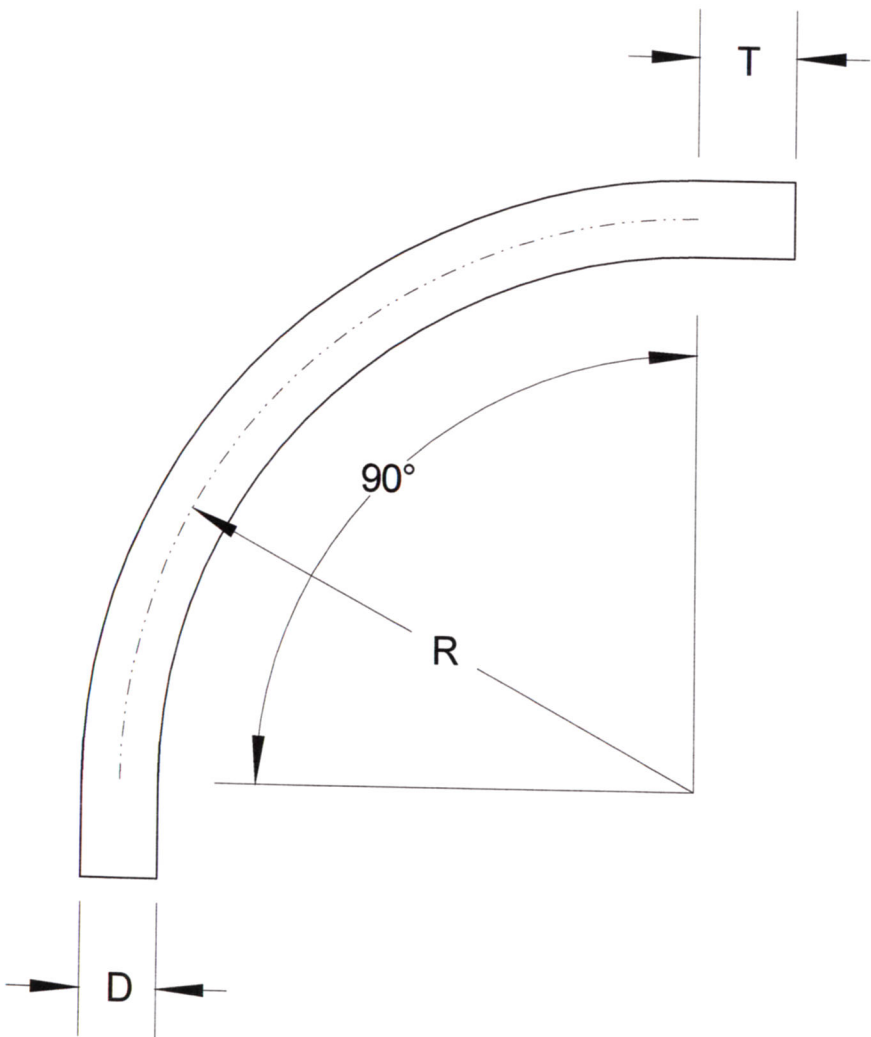


SIZE	DIAMETER "D"	RADIUS "R"	TANGENT "T" (MIN.)	PART NUMBER	WEIGHT (LBS.)
1/2"	.84"	24"	1.5"	S40W-059024	0.563
3/4"	1.05"	24"	1.5"	S40W-0759024	0.729
1"	1.315"	24"	1.875"	S40W-19024	1.093
1 1/4"	1.66"	24"	2"	S40W-1259024	1.458
1 1/2"	1.9"	24"	2"	S40W-1509024	1.716
2"	2.375"	24"	2"	S40W-29024	2.302
2 1/2"	2.875"	24"	3"	S40W-2509024	3.743
3"	3.5	24"	3.125"	S40W-39024	4.869
4"	4.5"	24"	3.375"	S40W-490STD	6.956



INTEGRAL COUPLINGS AVAILABLE ON REQUEST

**RACEWAYS TECHNOLOGY
& MFG., INC.**
TACOMA, WA

90 DEGREE S/40 NSF PVC ELBOW 24" RADIUS

NO SCALE

RTP

2012