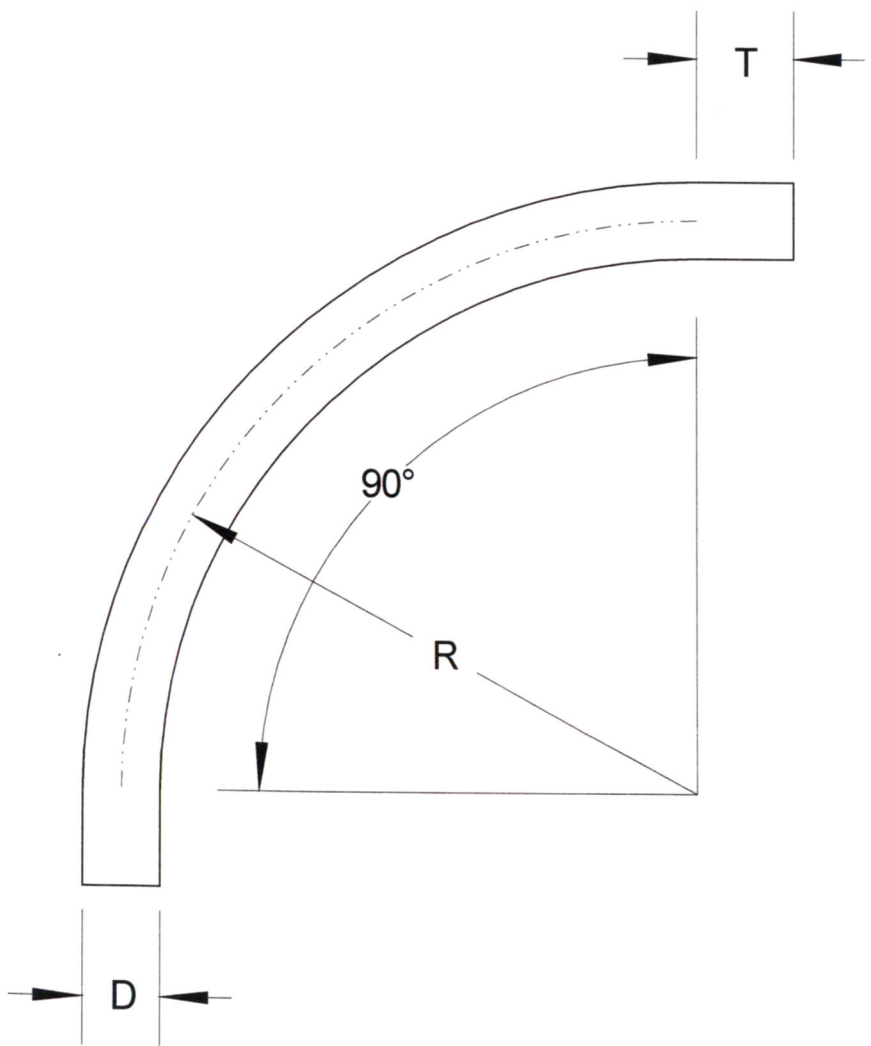


SIZE	DIAMETER "D"	RADIUS "R"	TANGENT "T" (MIN.)	PART NUMBER	WEIGHT (LBS.)
1/2"	.84"	36"	1.5"	S40W-059036	0.846
3/4"	1.05"	36"	1.5"	S40W-0759036	1.095
1"	1.315"	36"	1.875"	S40W-19036	1.643
1 1/4"	1.66"	36"	2"	S40W-1259036	2.191
1 1/2"	1.9"	36"	2"	S40W-1509036	2.579
2"	2.375"	36"	2"	S40W-29036	3.461
2 1/2"	2.875"	36"	3"	S40W-2509036	5.626
3"	3.5	36"	3.125"	S40W-39036	7.319
4"	4.5"	36"	3.375"	S40W-49036	10.456
5"	5.563"	36"	3.625"	S40W-59036	13.593
6"	6.625"	36"	3.75"	S40W-69036	18.323



INTEGRAL COUPLINGS AVAILABLE ON REQUEST

**RACEWAYS TECHNOLOGY
& MFG., INC.**
TACOMA, WA

90 DEGREE S/40 NSF PVC ELBOW 36" RADIUS

NO SCALE	RTP	2012
----------	-----	------