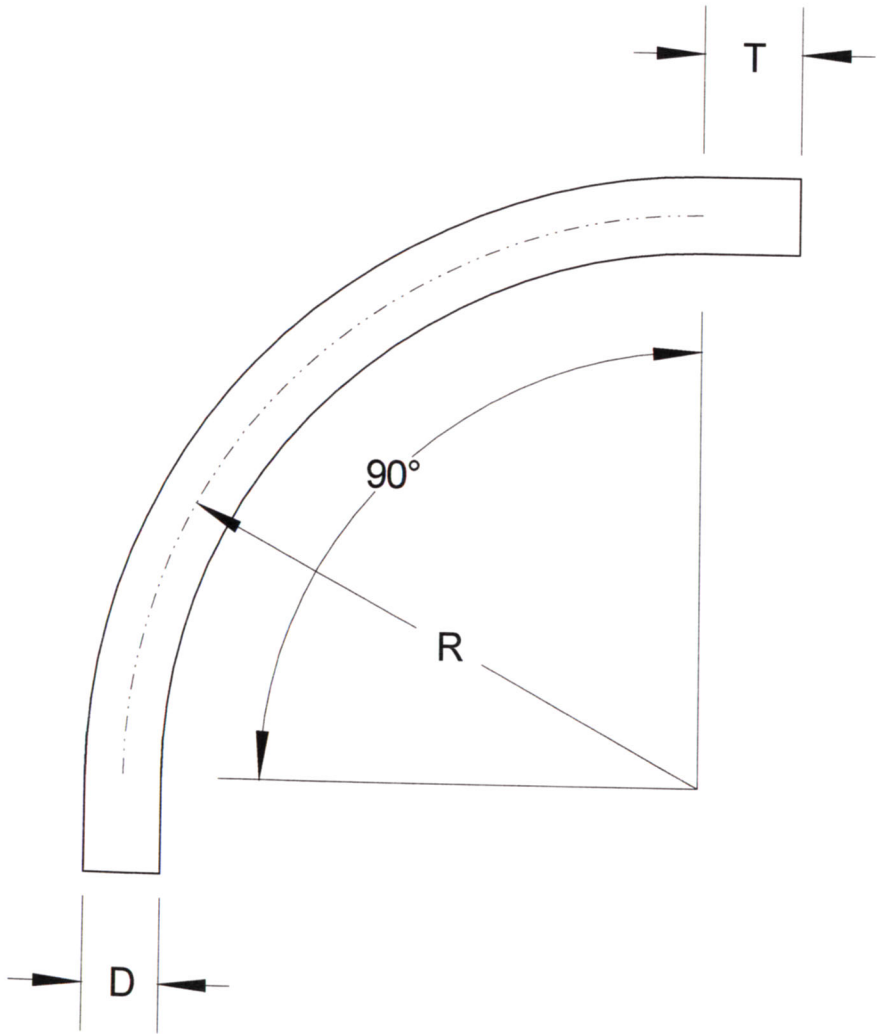


SIZE	DIAMETER "D"	RADIUS "R"	TANGENT "T" (MIN.)	PART NUMBER	WEIGHT (LBS.)
1/2"	.84"	72"	1.5"	S40W-059072	1.652
3/4"	1.05"	72"	1.5"	S40W-0759072	2.2
1"	1.315"	72"	1.875"	S40W-19072	3.3
1 1/4"	1.66"	72"	2"	S40W-1259072	4.4
1 1/2"	1.9"	72"	2"	S40W-1509072	5.18
2"	2.375"	72"	2"	S40W-29072	6.95
2 1/2"	2.875"	72"	3"	S40W-2509072	11.3
3"	3.5	72"	3.125"	S40W-39072	14.7
4"	4.5"	72"	3.375"	S40W-49072	21
5"	5.563"	72"	3.625"	S40W-59072	27.3
6"	6.625"	72"	3.75"	S40W-69072	38.64
8"	8.625"	72"	6.625"	S40W-89072	59.67



INTEGRAL COUPLINGS AVAILABLE ON REQUEST

**RACEWAYS TECHNOLOGY
& MFG., INC.**

TACOMA, WA

90 DEGREE S/40 NSF PVC ELBOW 72" RADIUS

NO SCALE

RTP

2012