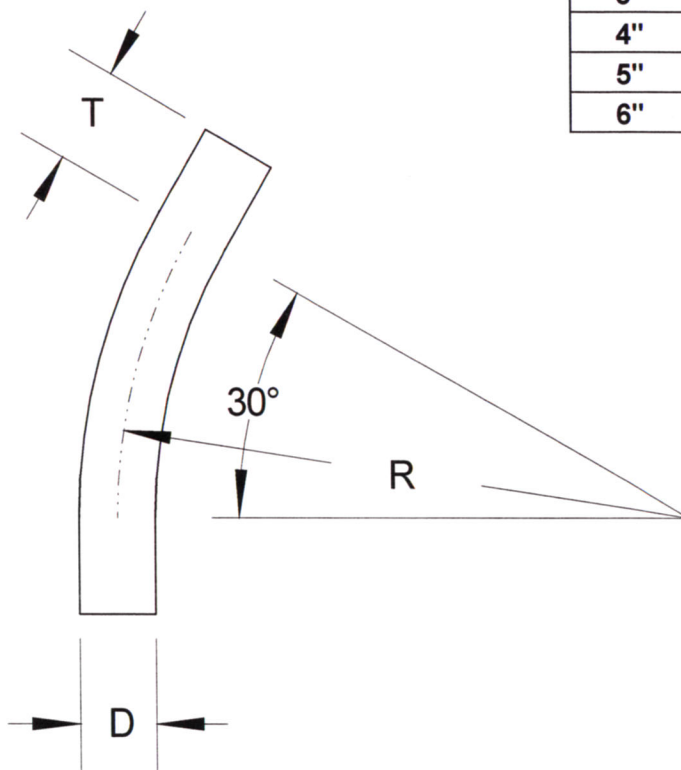


ALL S/80 CONDUIT ELBOWS AND SWEEPS MANUFACTURED BY RACEWAYS TECHNOLOGY ARE MADE FROM ETL OR UL LISTED PVC PIPE TO UL 651 SPECIFICATIONS.

| SIZE   | DIAMETER "D" | RADIUS "R" | TANGENT "T" (MIN.) | PART NUMBER | WEIGHT (LBS.) |
|--------|--------------|------------|--------------------|-------------|---------------|
| 1/2"   | .84"         | 72"        | 1.5"               | S80-053072  | 0.9           |
| 3/4"   | 1.05"        | 72"        | 1.5"               | S80-0753072 | 1.15          |
| 1"     | 1.315"       | 72"        | 1.875"             | S80-13072   | 1.75          |
| 1 1/4" | 1.66"        | 72"        | 2"                 | S80-1253072 | 2.4           |
| 1 1/2" | 1.9"         | 72"        | 2"                 | S80-1503072 | 2.9           |
| 2"     | 2.375"       | 72"        | 2"                 | S80-23072   | 4             |
| 2 1/2" | 2.875"       | 72"        | 3"                 | S80-2503072 | 6.1           |
| 3"     | 3.5          | 72"        | 3.125"             | S80-33072   | 8.15          |
| 4"     | 4.5"         | 72"        | 3.375"             | S80-43072   | 11.9          |
| 5"     | 5.563"       | 72"        | 3.625"             | S80-53072   | 16.55         |
| 6"     | 6.625"       | 72"        | 3.75"              | S80-63072   | 22.75         |



INTEGRAL COUPLINGS AVAILABLE ON REQUEST  
INTEGRAL COUPLINGS CONFORM TO UL 651 SPECIFICATIONS

**RACEWAYS TECHNOLOGY  
& MFG., INC.**  
TACOMA, WA

30 DEGREE S/80 PVC ELBOW 72" RADIUS

NO SCALE

RTP

2012