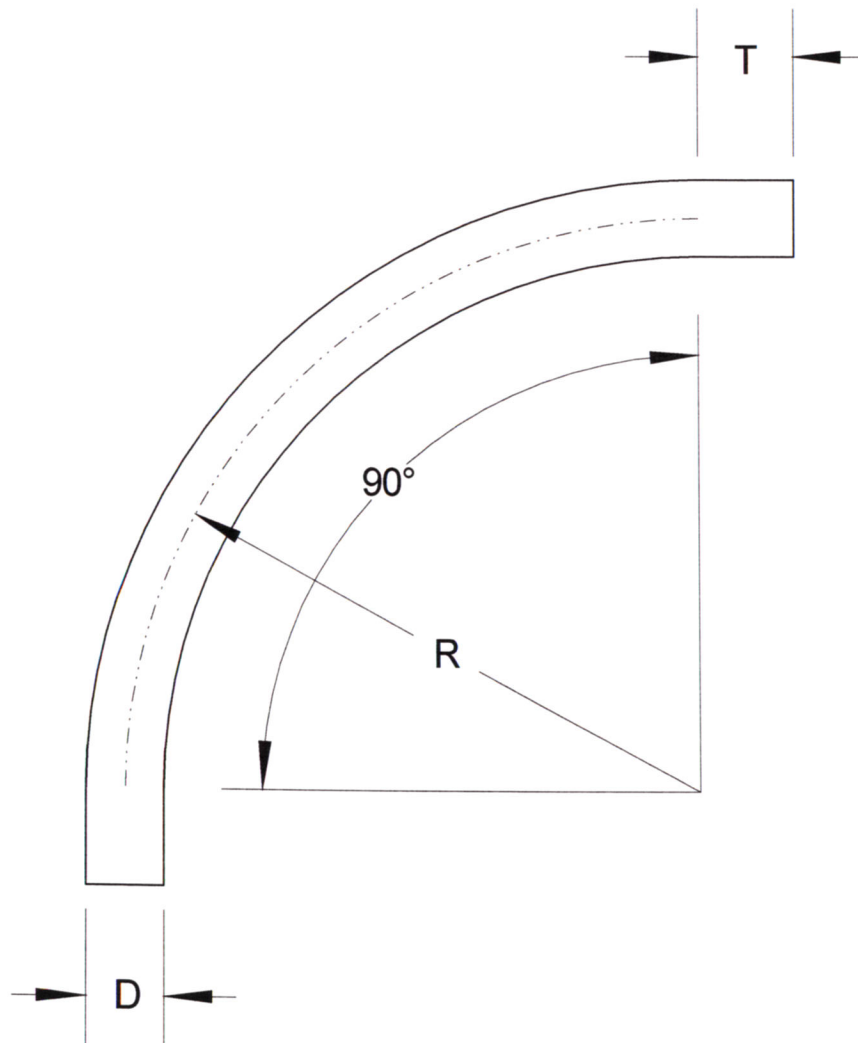


ALL S/80 CONDUIT ELBOWS AND SWEEPS MANUFACTURED BY RACEWAYS TECHNOLOGY ARE MADE FROM ETL OR UL LISTED PVC PIPE TO UL 651 SPECIFICATIONS.



| SIZE | DIAMETER "D" | RADIUS "R" | TANGENT "T" (MIN.) | PART NUMBER | WEIGHT (LBS.) |
|--------|--------------|------------|--------------------|-------------|---------------|
| 1/2" | .84" | 24" | 1.5" | S80-059024 | 0.696 |
| 3/4" | 1.05" | 24" | 1.5" | S80-0759024 | 0.928 |
| 1" | 1.315" | 24" | 1.875" | S80-19024 | 1.391 |
| 1 1/4" | 1.66" | 24" | 2" | S80-1259024 | 1.888 |
| 1 1/2" | 1.9" | 24" | 2" | S80-1509024 | 2.286 |
| 2" | 2.375" | 24" | 2" | S80-29024 | 3.18 |
| 2 1/2" | 2.875" | 24" | 3" | S80-2509024 | 4.836 |
| 3" | 3.5 | 24" | 3.125" | S80-39024 | 6.493 |
| 4" | 4.5" | 24" | 3.375" | S80-49024 | 9.474 |
| 5" | 5.563" | 24" | 3.625" | S80-590STD | 15.218 |

INTEGRAL COUPLINGS AVAILABLE ON REQUEST
INTEGRAL COUPLINGS CONFORM TO UL 651 SPECIFICATIONS

**RACEWAYS TECHNOLOGY
& MFG., INC.**

TACOMA, WA

90 DEGREE S/80 PVC ELBOW 24" RADIUS

NO SCALE

RTP

2012