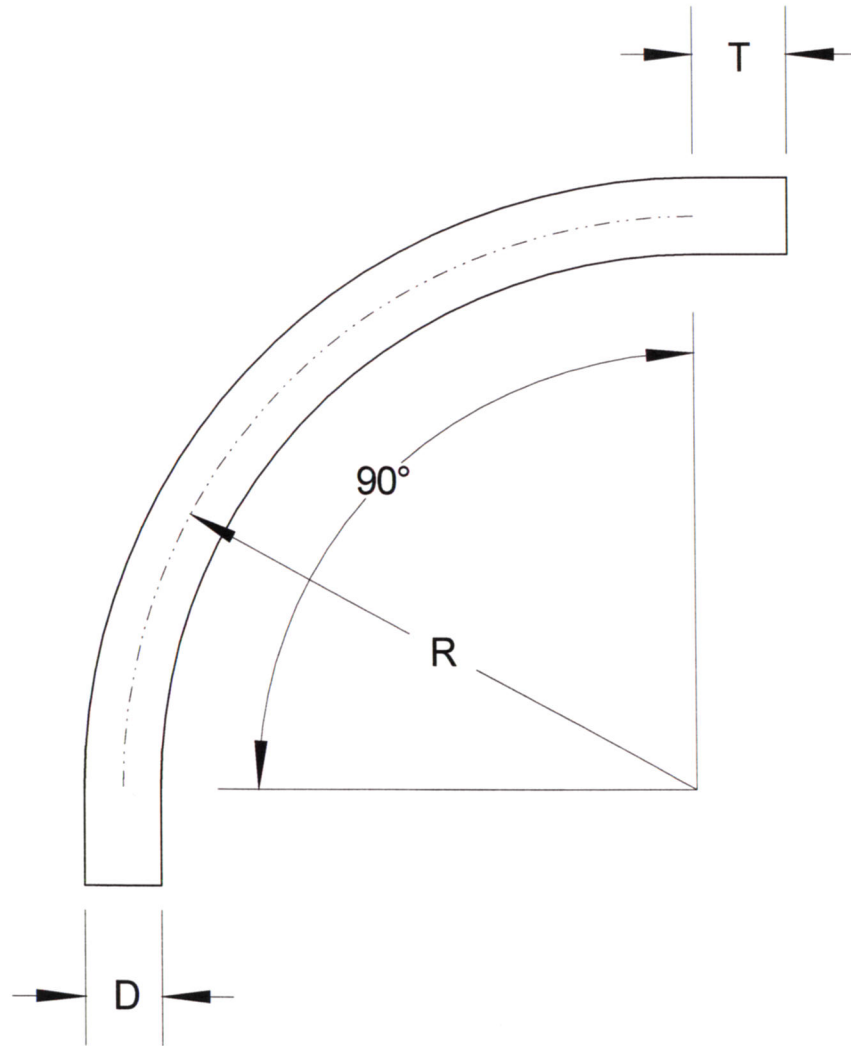


ALL S/80 CONDUIT ELBOWS AND SWEEPS MANUFACTURED BY RACEWAYS TECHNOLOGY ARE MADE FROM ETL OR UL LISTED PVC PIPE TO UL 651 SPECIFICATIONS.

SIZE	DIAMETER "D"	RADIUS "R"	TANGENT "T" (MIN.)	PART NUMBER	WEIGHT (LBS.)
1/2"	.84"	60"	1.5"	S80-059060	1.663
3/4"	1.05"	60"	1.5"	S80-0759060	2.228
1"	1.315"	60"	1.875"	S80-19060	3.36
1 1/4"	1.66"	60"	2"	S80-1259060	4.584
1 1/2"	1.9"	60"	2"	S80-1509060	5.578
2"	2.375"	60"	2"	S80-29060	7.84
2 1/2"	2.875"	60"	3"	S80-2509060	12.167
3"	3.5"	60"	3.125"	S80-39060	16.333
4"	4.5"	60"	3.375"	S80-49060	21.39
5"	5.563"	60"	3.625"	S80-59060	34.407
6"	6.625"	60"	3.75"	S80-69060	50.05



INTEGRAL COUPLINGS AVAILABLE ON REQUEST  
INTEGRAL COUPLINGS CONFORM TO UL 651 SPECIFICATIONS

<b>RACEWAYS TECHNOLOGY &amp; MFG., INC.</b>		
TACOMA, WA		
90 DEGREE S/80 PVC ELBOW 60" RADIUS		
NO SCALE	RTP	2012