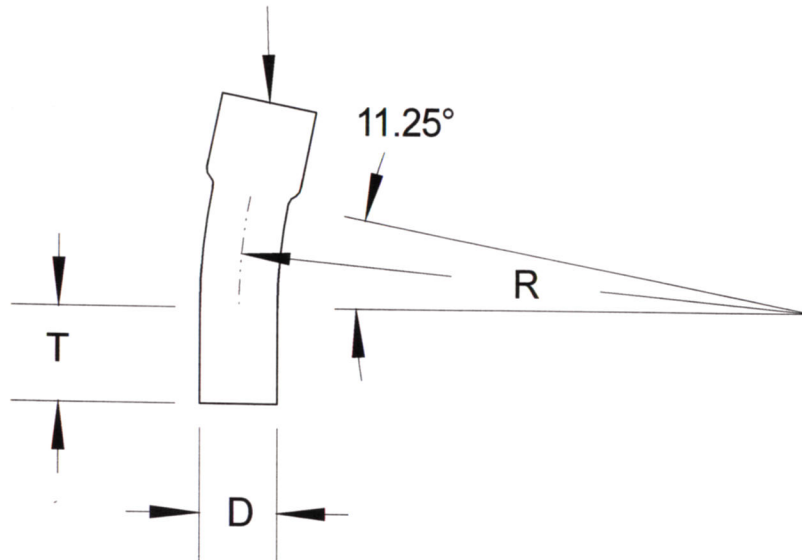


| SIZE | DIAMETER "D" | RADIUS "R" | TANGENT "T" (MIN.) | PART NUMBER | WEIGHT (LBS.) |
|------|-----------------|---------------|-----------------------|-------------|------------------|
| 2" | 2.375" | 18" | 2" | S40B-21118 | 0.502 |

INTEGRAL COUPLING



**RACEWAYS TECHNOLOGY
& MFG., INC.**
TACOMA, WA

11.25 DEGREE S/40 BUFF PVC ELBOW 18" RADIUS

NO SCALE

RTP

2012