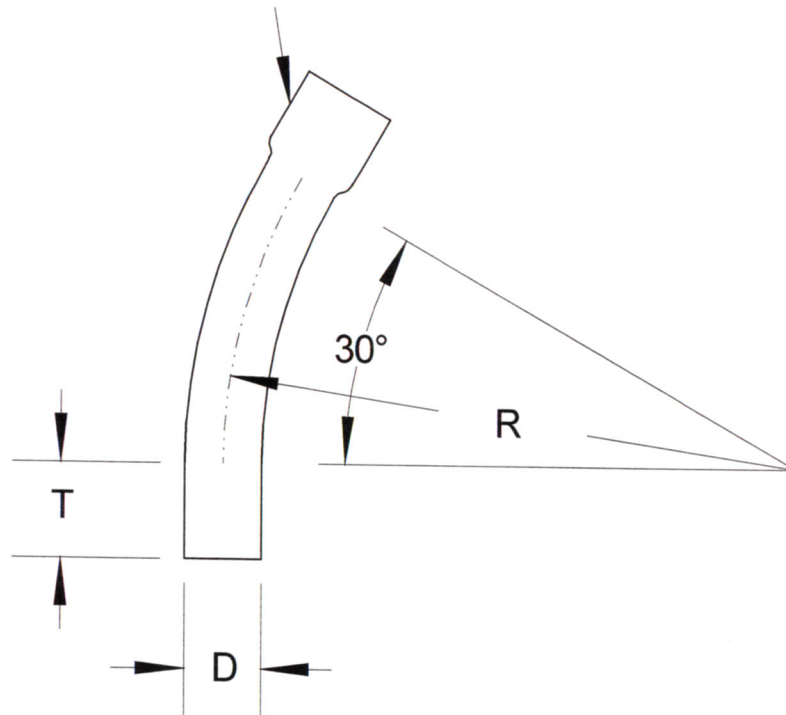


| SIZE | DIAMETER<br>"D" | RADIUS<br>"R" | TANGENT<br>"T" (MIN.) | PART NUMBER | WEIGHT<br>(LBS.) |
|------|-----------------|---------------|-----------------------|-------------|------------------|
| 2"   | 2.375"          | 48"           | 2"                    | S40B-23048  | 1.521            |

INTEGRAL COUPLING



**RACEWAYS TECHNOLOGY  
& MFG., INC.**  
TACOMA, WA

30 DEGREE S/40 BUFF PVC ELBOW 48" RADIUS

|          |     |      |
|----------|-----|------|
| NO SCALE | RTP | 2012 |
|----------|-----|------|