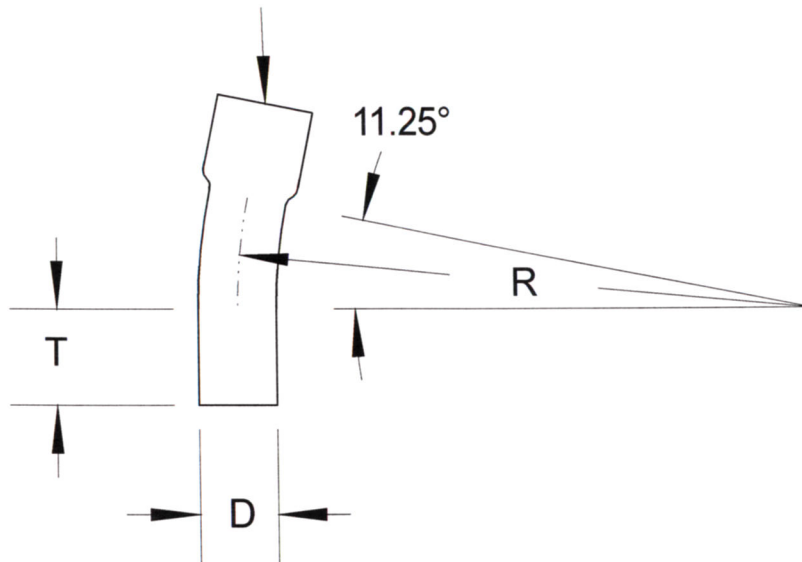


SIZE	DIAMETER "D"	RADIUS "R"	TANGENT "T" (MIN.)	PART NUMBER	WEIGHT (LBS.)
1 1/4"	1.66"	60"	2"	S40GS-1251160	0.75
1 1/2"	1.9"	60"	2"	S40GS-1501160	0.908
2"	2.375"	60"	2"	S40GS-21160	1.204
3"	3.5"	60"	3.125"	S40GS-31160	2.725
4"	4.5"	60"	3.375"	S40GS-41160	3.884

INTEGRAL COUPLING



**RACEWAYS TECHNOLOGY  
& MFG., INC.**

TACOMA, WA

11.25 DEGREE S/40 GAS PVC ELBOW 60' RADIUS

NO SCALE

RTP

2012