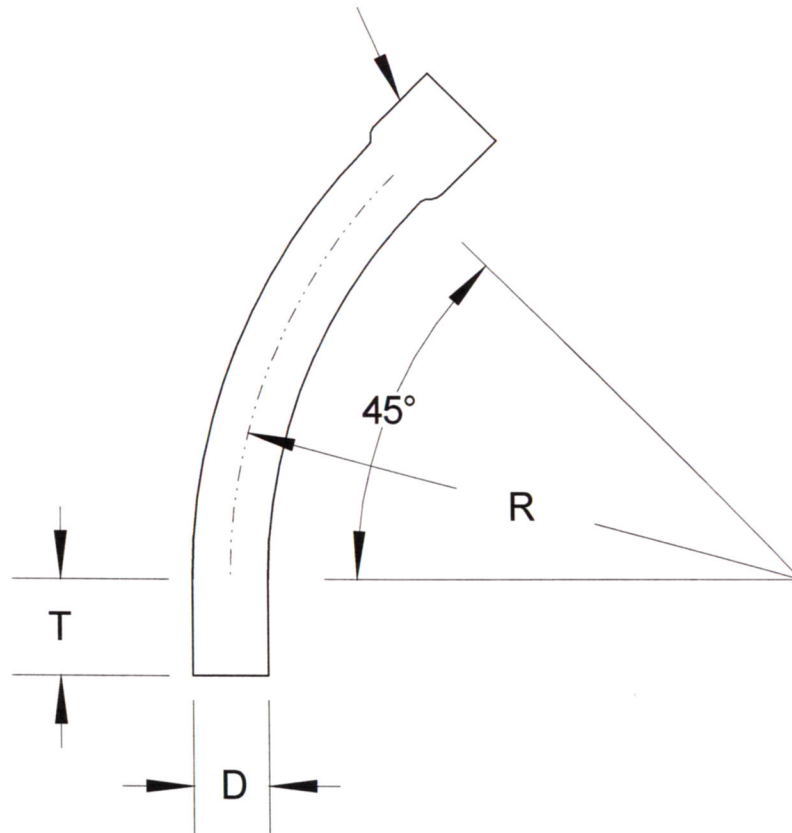


SIZE	DIAMETER "D"	RADIUS "R"	TANGENT "T" (MIN.)	PART NUMBER	WEIGHT (LBS.)
1 1/4"	1.66"	12"	2"	S40GS-1254512	0.527
1 1/2"	1.9"	12"	2"	S40GS-1504512	0.63
2"	2.375"	12"	2"	S40GS-24512	0.836

INTEGRAL COUPLING



**RACEWAYS TECHNOLOGY
& MFG., INC.**
TACOMA, WA

45 DEGREE S/40 GAS PVC ELBOW 12' RADIUS

NO SCALE

RTP

2012