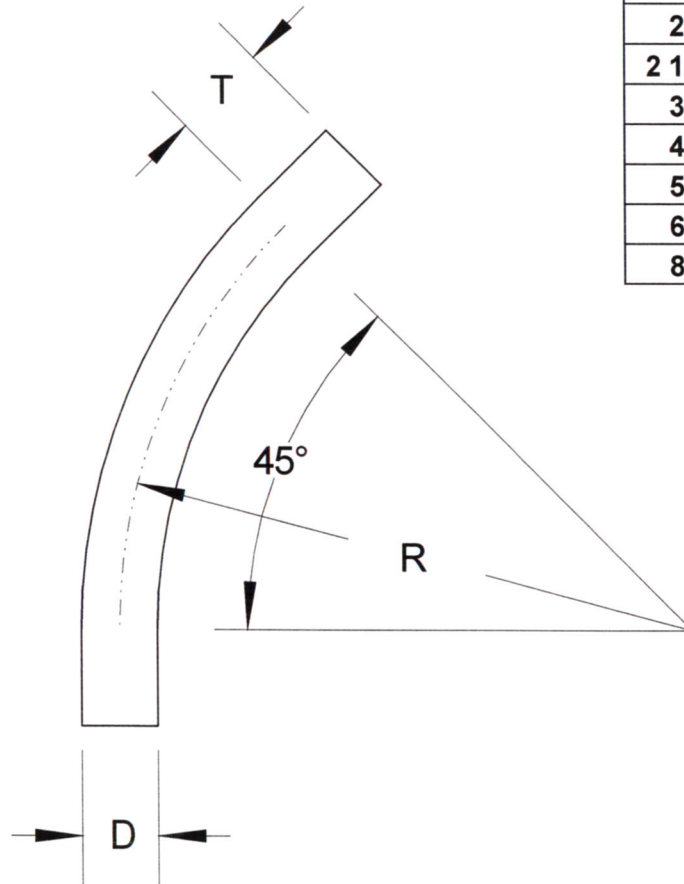


SIZE	DIAMETER "D"	RADIUS "R"	TANGENT "T" (MIN.)	PART NUMBER	WEIGHT (LBS.)
1/2"	0.84	4"	1.5"	S40W-0545STD	0.085
3/4"	1.05	4.5"	1.5"	S40W-07545STD	0.119
1"	1.315"	5.75"	1.875"	S40W-145STD	0.227
1 1/4"	1.66"	7.25"	2"	S40W-12545STD	0.348
1 1/2"	1.9"	8.25"	2"	S40W-15045STD	0.453
2"	2.375"	9.5"	2"	S40W-245STD	0.681
2 1/2"	2.875"	10.5"	3"	S40W-25045STD	0.895
3"	3.5	13"	3.125"	S40W-345STD	2.083
4"	4.5"	16"	3.375"	S40W-445STD	3.456
5"	5.563"	24"	3.625"	S40W-545STD	6.029
6"	6.625"	30"	3.75"	S40W-645STD	10.58
8"	8.625"	44"	6.625"	S40W-845STD	23.868



INTEGRAL COUPLINGS AVAILABLE ON REQUEST

**RACEWAYS TECHNOLOGY
& MFG., INC.**

TACOMA, WA

45 DEGREE S/40 NSF PVC ELBOW STD RADIUS

NO SCALE

RTP

2012